

# WIFI Digital Heating Thermostat User Manual



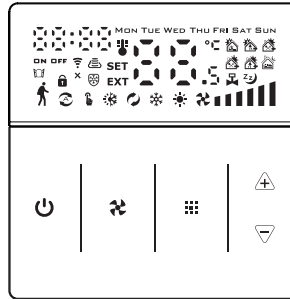
## User Manual

Read this manual thoroughly before using and save it for future reference

### Technical data

Voltage: AC90~230VAC 50/60Hz  
 Output: On/off type  
 Current: 3A  
 Display temperature range: 0~55°C  
 Accuracy: ±0.5°C  
 Work environment: 0~50°C  
 Setting range: 5°C - 35°C  
 Size: 86 \* 86mm  
 Sensor: NTC(10k)1%

### Displays



### Button

Icon	Description
	Increase key: short press to adjust data, long press to display external sensor temperature (When the sensor type is N3 in the advanced option)
	Mode switching key: short press to switch between manual mode and program mode, long press to set special function parameters
	Decrease key: short press to adjust data, long press to lock/unlock keys
	Fan speed selection key: short press to set fan speed (confirm key when setting parameters), long press to enter sleep function setting
	Power key
	Press them together to enter matching zigbee mode
	WIFI connection, flashing as WIFI pair mode
	WIFI status: Disconnection
	cloud icon, if flashing, then enter AP zigbee pair mode
	Program mode; run preset program
	Temporary manual mode
	Child lock
	Manual mode
	Clock

### Operation key

Operation	Description
Fan Speed	Power on state, press  to choose fan speed (high , mid , low , (Auto:  animation)
Setting time	Power on state, press  "3-5s", chose "02" <sub>clock</sub> , then press  to set time; Minute "mm" flashing, press  "or"  to adjust, press  to next setting, as same method to set hour and week, finally press  or wait 5S to exit
Timer	After connected wifi, click "cloud" on the right corner of APP to set
Working mode	Power on state, long press  "3-5S, short press  to choose "01", next press  to choose mode:    "  " is mean cooling mode, "  " is mean heating mode, "  " is mean ventilation mode;  is mean auto mode
Control valve	When cooling mode (heating mode), indoor temperature more (lower) 1°C than setting temperature, open valve; after equal, closed valve, fan is still running. Ventilation mode (fan is not control by temperature as default) If fan be controlled by temperature, then valve and fan will be closed.
Locked function	long press  to lock/unlock keys
Alarm	E1: internal sensor error E2: external sensor error
Sleep mode	Power on state, long press  ,  is flashing, short press  to run it, short press  to cancel Remark: Sleep mode is not available when run ventilate mode or auto mode
Manual/program mode	Power on state, short press  to switch manual mode/program mode

### Program mode setting

Thermostat support set different time and different temperature; Compatible with 5+2, 6+1, 7 days  
 Program mode type  
 Long press 3-5S, next short press to choose "03", then short press to program mode setting, use and to adjust value. After short press to set next time section setting

Time section	Icon	Time (default)	Temperature (default)
Monday to Sunday	1	6:00	20°C
	2	8:00	15°C
	3	17:30	22°C
	4	22:00	15°C

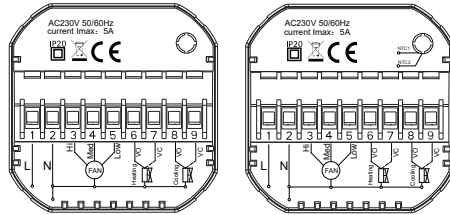
### Advanced Option

Turn off thermostat, long press 5S to enter advance setting options, Short press to set next item, press "or" to set item data

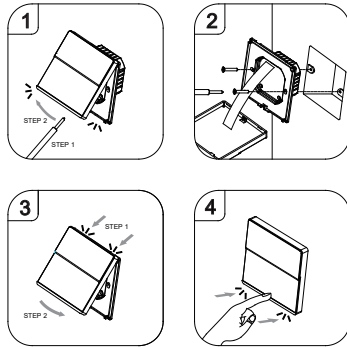
Symbol	Item	Parameter	Default
A1	Temperature Calibration	-9-+9°C	-1°C
A2	Children Lock	0: half lock; (It is available to turn on/off and adjust temperature) 1: full lock	0
A3	Setting the lowest limit temperature	5-15°C	5°C
A4	Setting the highest limit temperature	16-50°C	35°C

A5	Fan energy saving control	0: fan off when valve off 1: fan always on when valve off	0
A6	Program mode type	0=5+2 1=6+1 2=7 (everyday all the same)	0
A7	Choose valve output	2: 2pipe 4: 4pipe	4
A8	Sensor type	N1: internal sensor N2: external sensor N3: Double sensor when choose N3, In the heating state, normally only valve is opened, and the fan is turned on when the external temperature is detected to be ≥ X°C. When the temperature is detected to be lower than (X-2)°C, the fan is turned off.	N1
A9	Set temperature for external sensor	20-60°C	38°C
AA	Standby bright	0: off 1: weak bright 2: brighter	2
AB	LOGO display on standby	0: No display 1: Display	1
AC	Reset	Display Ao, press  key until whole show	Ao

### Wiring Diagram



### Installation Diagram:



6

### Wifi Thermostat Mobile App Programming Guide

#### Preparation required for Wifi Connection:

You will need a 4G mobile phone and wireless router. Connect the wireless router to the mobile phone and record the WIFI password.

#### Step 1 Download your app

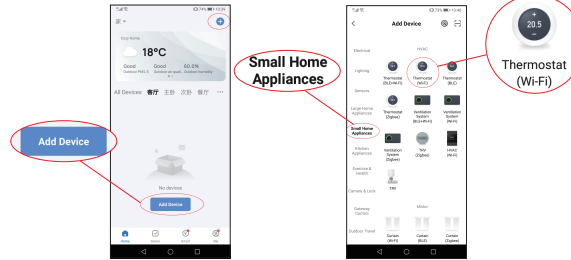


Download 'Smart Life' or 'Smart RM' app from Google play and app store.

Turn on the thermostat, press and hold the key combination "⋮" and "📶" Activate WIFI distribution network icon

#### Step 2 Register your account

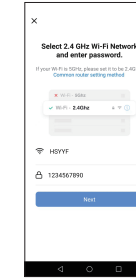
#### Step 3 Connect your Wi-Fi signal (EZ distribution mode)



1.Add Device or '+'.1.

2.Select small appliance - WIFI thermostat

7



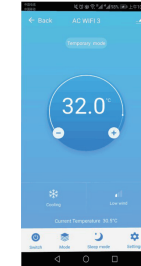
3.Select WIFI Network and enter password



5.Connecting Device



4.Confirm thermostat WIFI icon 📶 blinking



6.Connected

8

### Additional Functions

**Holiday Mode:** You can program the thermostat to be on for a set temperature for up to 30 days so that there is background heat in the house while you are away. This can be found under the mode 📅 section. You have the option to set the number of days between 1-30 and a temperature up to 27 °C.

**Lock Mode:** This option allows you to remotely lock the thermostat so no changes can be made. This can be done by clicking the 🔒 symbol. To unlock click the 🔓 symbol again.

**Grouping devices:** You can link multiple thermostats together as a group and control them all simultaneously. This can be done by clicking on the 👤 in the top right corner and then clicking the Create Group option. If you have multiple thermostats linked it will allow you to tick each one that you want to be in the group and once you confirm the selection you will be able to name the group.

#### Sensor type and temperature limit

Click the Sensor type option and enter password (normally 123456). Then you will be given 3 options:

(1) "Single built-in sensor" will only use the internal air sensor (DO NOT USE THIS SETTING\*)

(2) "Single external sensor" will only use the floor probe (ideal for bathrooms where thermostat installed outside room).

(3) "Internal and external sensors" will use both sensors to read the temperature (Most common option).

Once you have chosen the sensor type, check that "Set temp. max" option is set to a suitable temperature for your flooring (typically 45 °C)

\*A floor probe must always be used with electric underfloor heating to protect the flooring.

9

NO30311 V1.0