

WIFI Digital Heating Thermostat User Manual



User Manual

Many thanks for your selection of our products and services, and also for your trust and support to us.

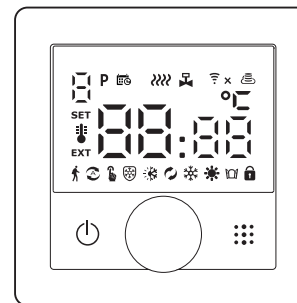
Features

- (A) Including built-in sensor and external sensor
- (B) 0.5°C accuracy keeps temperature within the level you set.
- (C) Children lock to prevent misoperation by children
- (D) Data memory when power is off.
- (E) Holiday mode make you enjoy more comfortable temperature in holiday
- (F) The temperature of external sensor can be checked

Product Specifications

Power: 90-240Vac 50/60HZ
 Sensor: NTC(10k)1%
 Current: 3A (WW); 16A (WE)
 Set temperature range 1~70°C
 Default set temperature range: 5~35°C
 Accuracy: ±0.5°C
 External sensor: options (NTC)

Displays



Description of icon

- Programming mode
- Manual mode
- Temporary manual mode
- Holiday mode
- On heating
- Room temperature
- SET** Set the temperature
- Child lock
- Clock icon
- Antifreeze
- Blinking, activate window function
- EXT** External sensor temperature
- WiFi connection, flashing EZ distribution mode. When neither icon is shown, the WiFi connection is disconnected. Please check the network
- Cloud icon: flashing AP distribution network mode
- Wifi status: Disconnection
- Cooling mode, this icon is always displayed when switching to cooling mode and flashes when the cooling load is output

Operation key

NO	symbols	represent
A		Short press to turn on/off thermostat . Long press to Lock/Unlock key
B		Power on state short press to choose manual or auto mode, long press to program/set time/set holiday mode and so on. Power off state short press to display EXT sensor temperature, long press to set advance options
D		Rotate left-minus
E		Rotate right -plus On program mode, rotate the knob into temporary manual mode

Setting time

Turn on thermostat, long press "⏏" to enter setting interface, rotate the knob to choose "🕒", then short press "⏏" to set time, next press "⏏" to choose hour, minute and week, rotate the knob to change the value.

Holiday mode

Turn on thermostat, long press "⏏" to enter setting interface, rotate the knob to choose "👤", then short press "⏏" to enter, short press "⏏" to choose days and temperature, rotate the knob to change the value.

Programmable

There are six programming working modes for users to choose: 5+2 (default), 6+1, 7day (same as every day). Select the programming working mode from Advanced option A. Turn on thermostat, long press "⏏" to enter setting interface, rotate the knob to choose "P", then short press "⏏" to program, short press "⏏" to choose hour, minute and temperature, rotate the knob to change the value. After finished, wait 10 seconds to exist.

	P1	P2	P3	P4	P5	P6					
Wake up	Leave home	Back home	Leave home	Back home	Sleep						
6: 00	20°C	8: 00	15°C	11: 30	15°C	13: 30	15°C	17: 00	15°C	22: 00	15°C

Advance option

Turn off thermostat, long press "⏏" to enter advance option. Short press "⏏" to choose item, rotate the knob to change the value. After setting, the parameters will be automatically saved and exited after holding the interface for 10 seconds.

NO	Items	Parameter	Default
1	Measure Temperature Calibration	-9~+9°C	-1
2	Temperature return difference	0.5-2.5°C	1°C

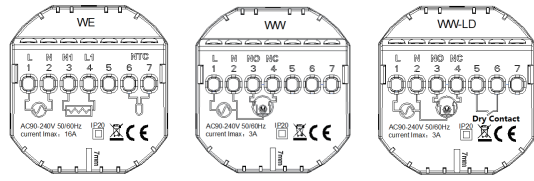
3	External sensor control return difference	1~9°C	2
4	Choose sensor	N1: inner sensor (high temperature protection closed) N2: external sensor (high temperature protection closed) N3: inner sensor for temperature controlling, external sensor for high temperature protection	N1
5	Child lock	0: half lock; 1: full lock	0
6	High temperature protection	1: 20°C-70°C 2: less than 20°C, display [--], mean closed this function	45
7	Low temperature protection	1: 1°C-10°C 2: more than 10°C, display [--], mean closed this function	5
8	The lowest setting temperature	1-10	5
9	The highest setting temperature	20-70	35
A	Descaling function	0: closed; 1: open	0
B	Power with memory function	0: Power with memory function 1: Off state after connecting with power 2: On state after connecting with power	0
C	Programmable	0: 5+2; 1: 6+1; 2: 7	0
D	Standby display	0: display nothing 1: Standby brightness is weak-bright 2: Standby brightness is semi-bright	2

E	Reset	Long press "⏏" until whole display	
F	Window function triggers temperature	5-25°C, setting temperature is 5°C, decrease it, will display 【--】 , then canceled this function	--
H	Window function running time	5-60min	15
L	Heating/Cooling mode	0: heating 1: cooling	0

Return difference : limit valve of external sensor is 45 C for factory default (6), value of external sensor control return difference (3) is 2. when temperature rise to 45 C, then relay stop working and will remind high temperature protection alarm. If temperature decline to 43 C relay continue to work and alarm will be relieved. (it can be operated ,only when indoor temperature is lower than setting temperature)

Sensor fault display: please choose correct working way of built-in and external sensor, if choose wrongly or sensor fault (breakdown), "E1" or "E2" will be displayed on the screen. Thermostat will stop heating until the fault is eliminated

Wiring



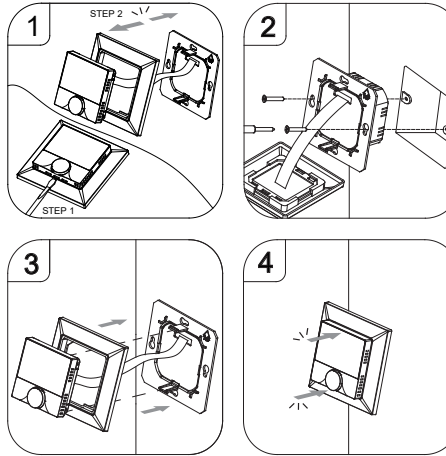
WE
electrical heating

WW
water heating

LD
boiler heating and
water heating

6

Wiring and installation instructions



7